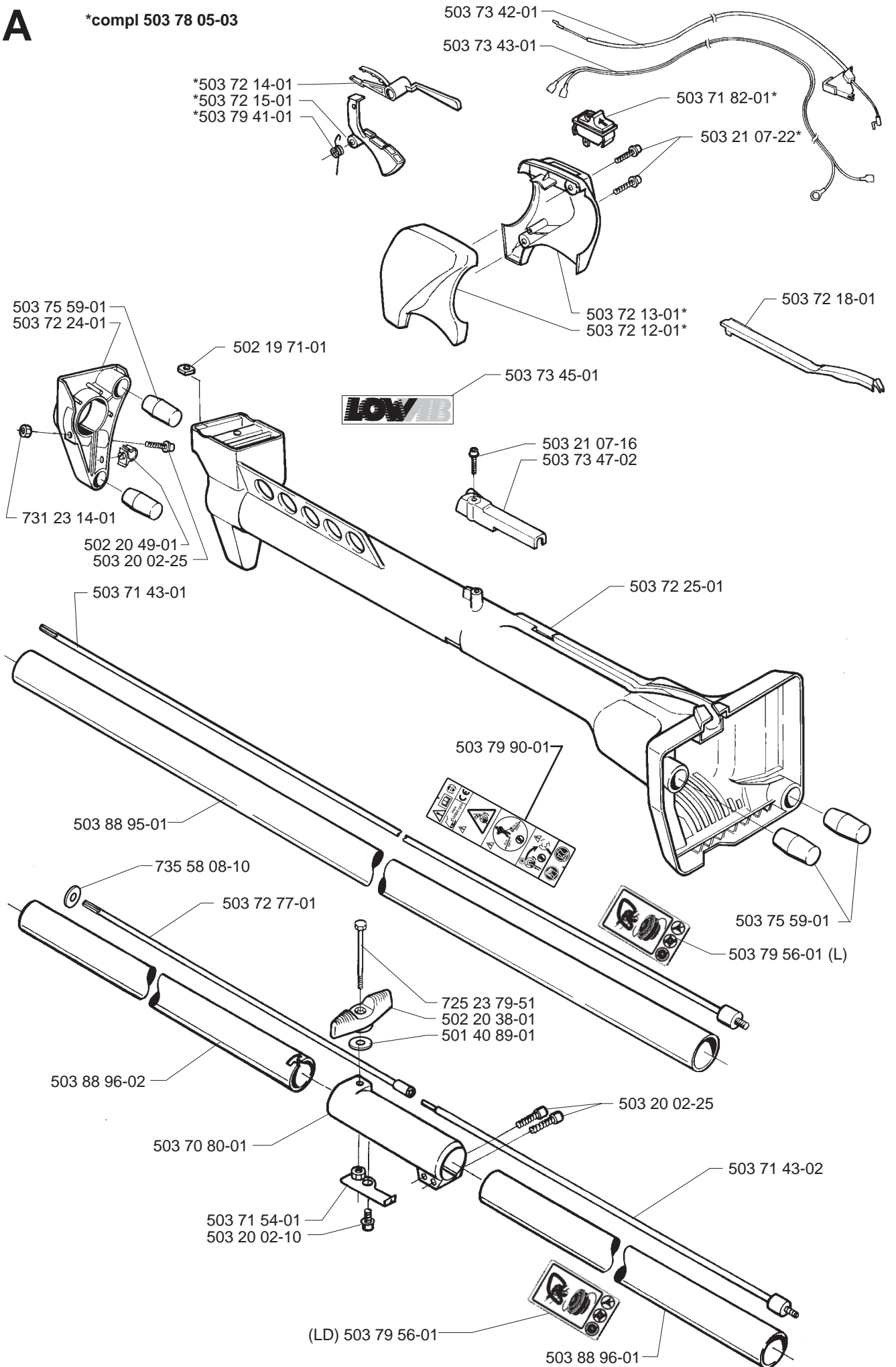


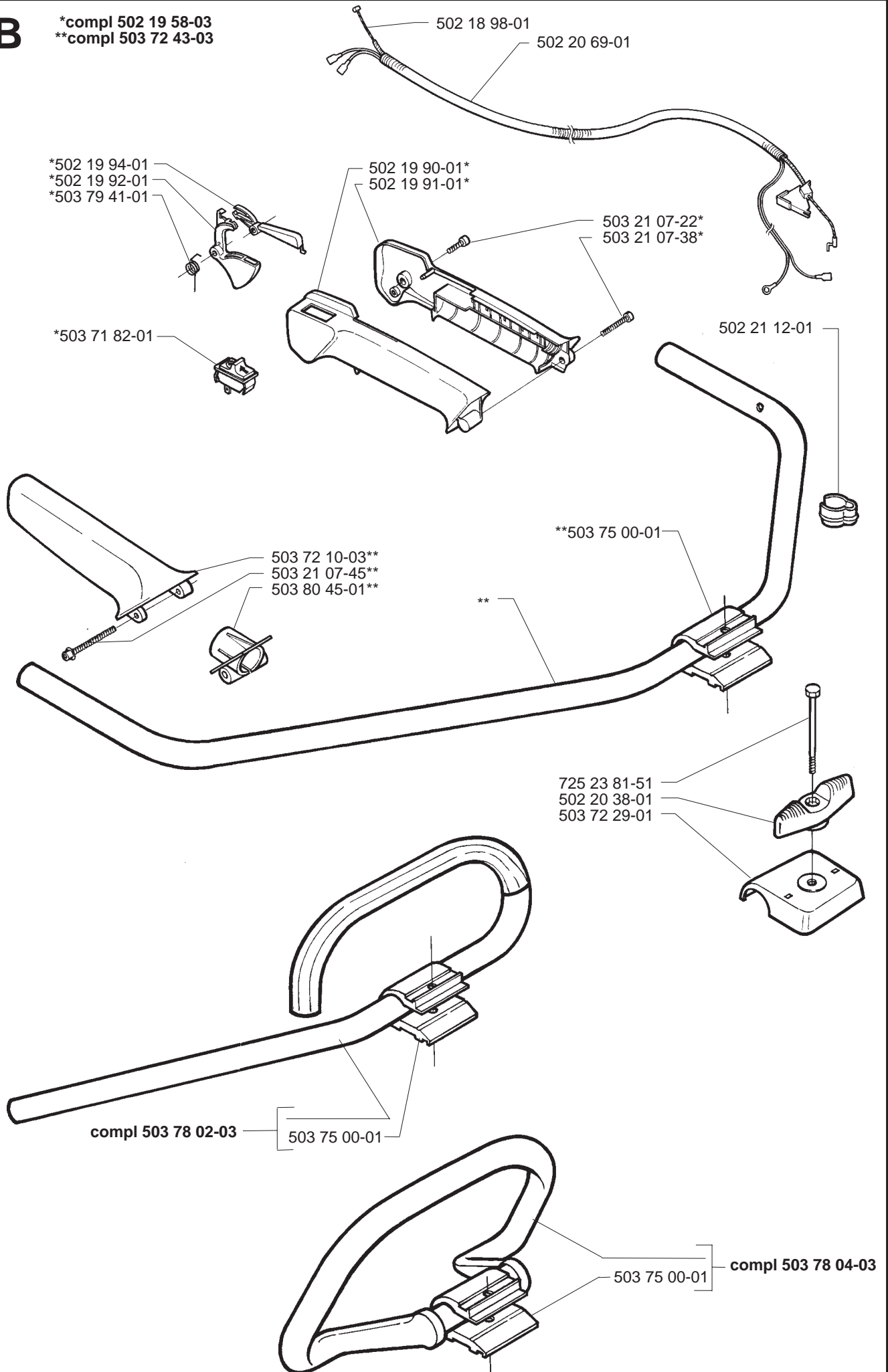
A

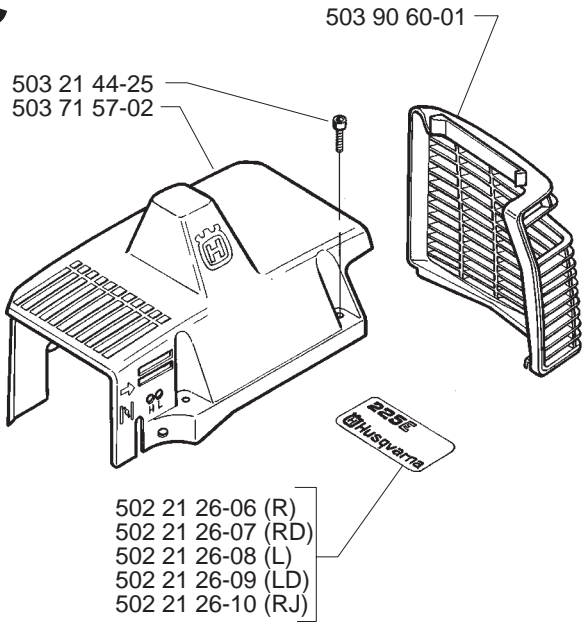
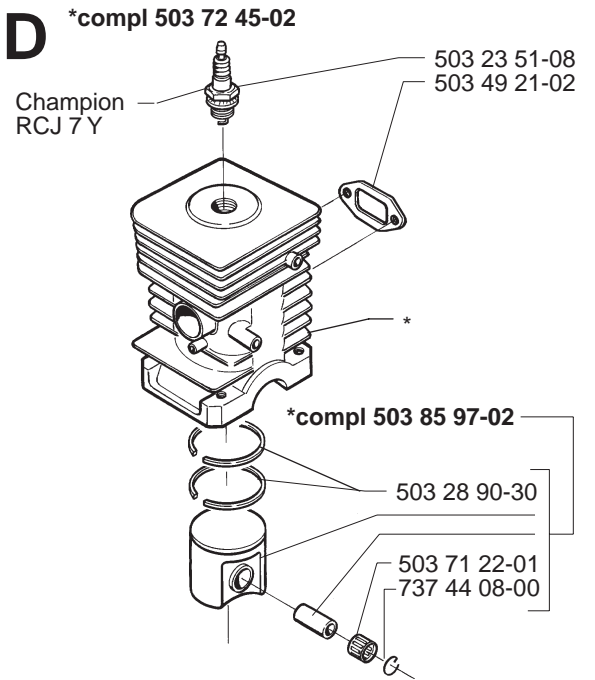
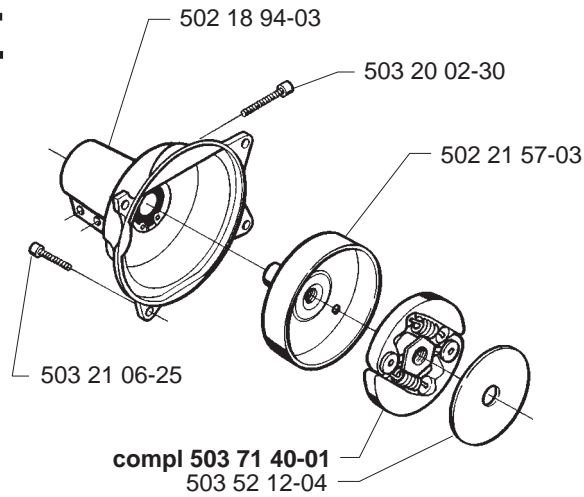
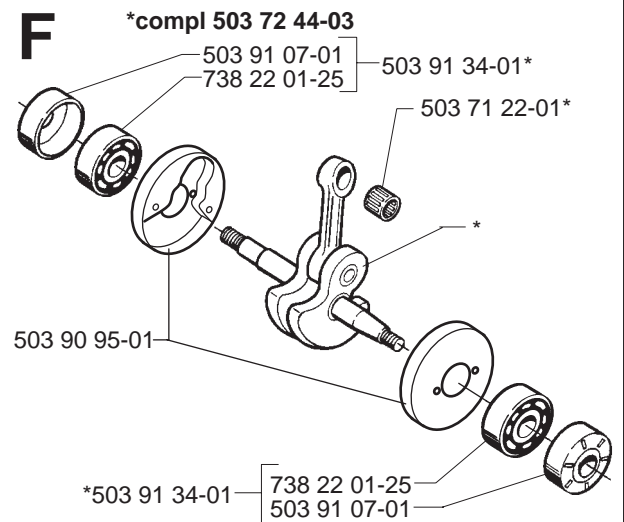
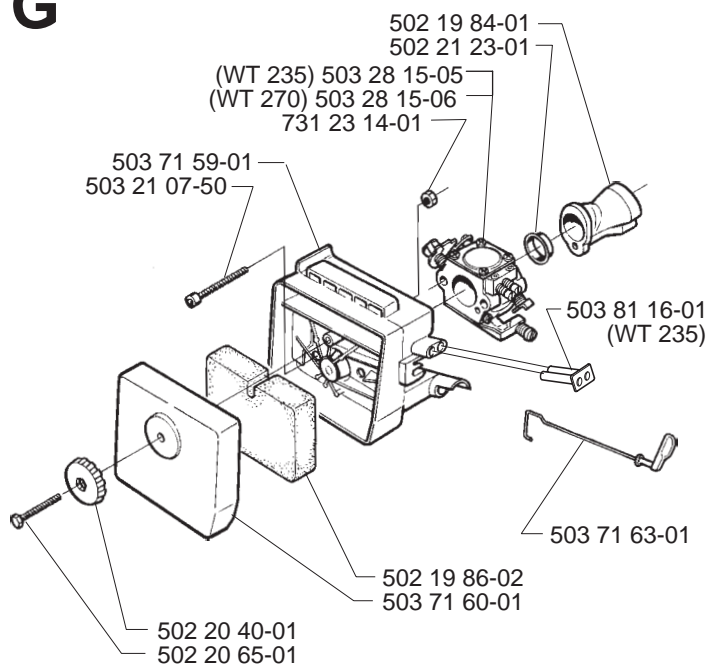
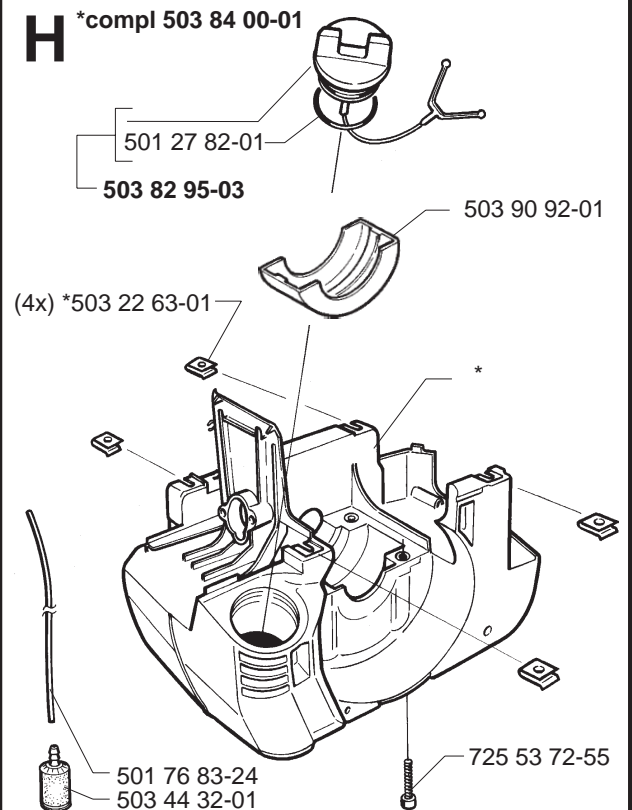
*compl 503 78 05-03

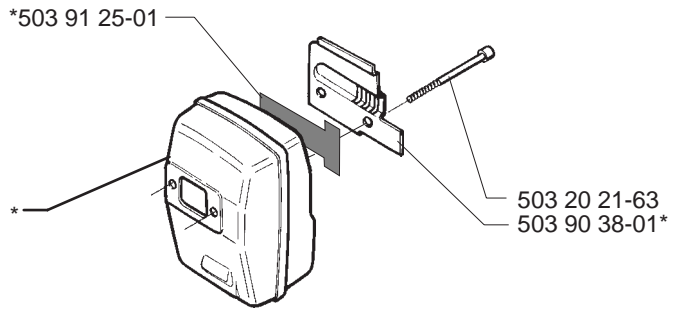
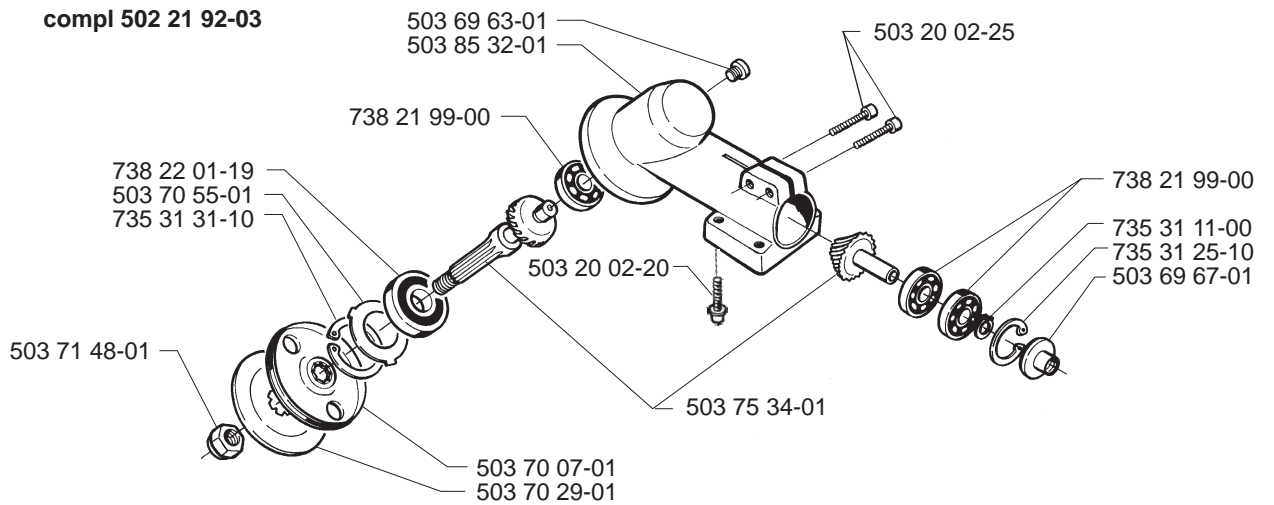
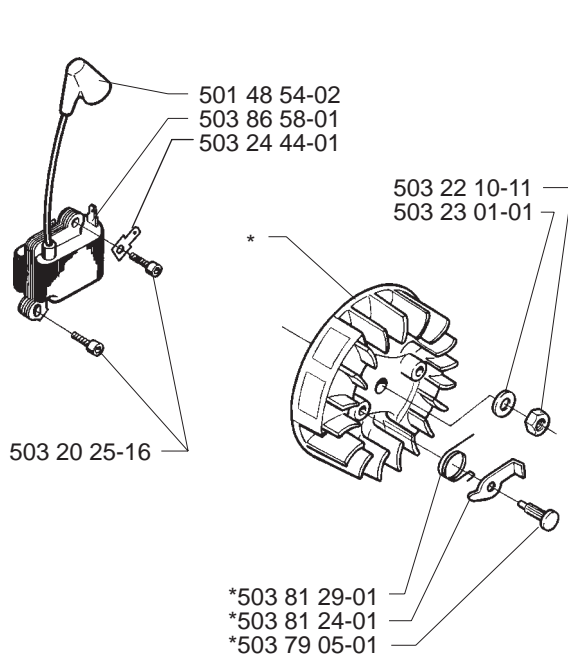
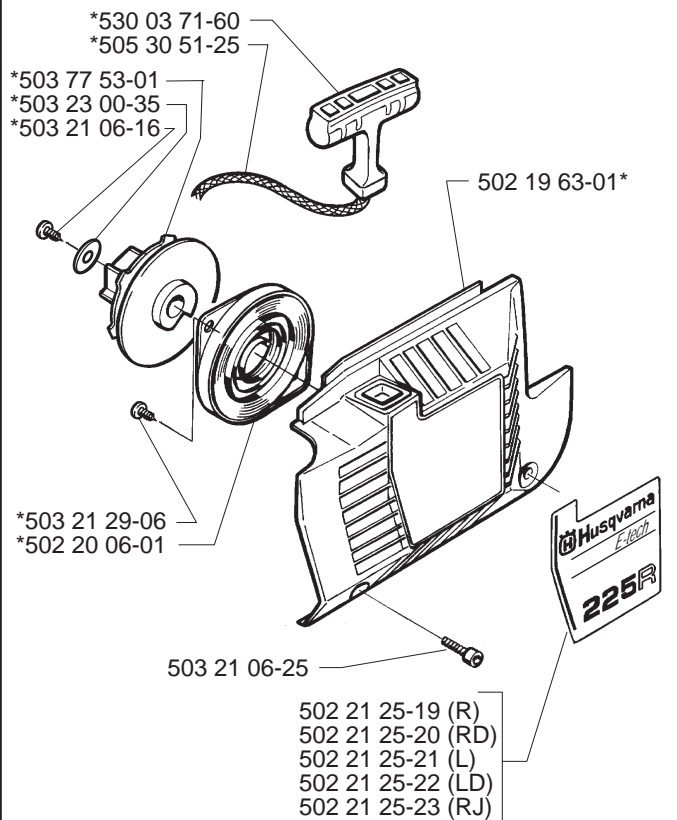


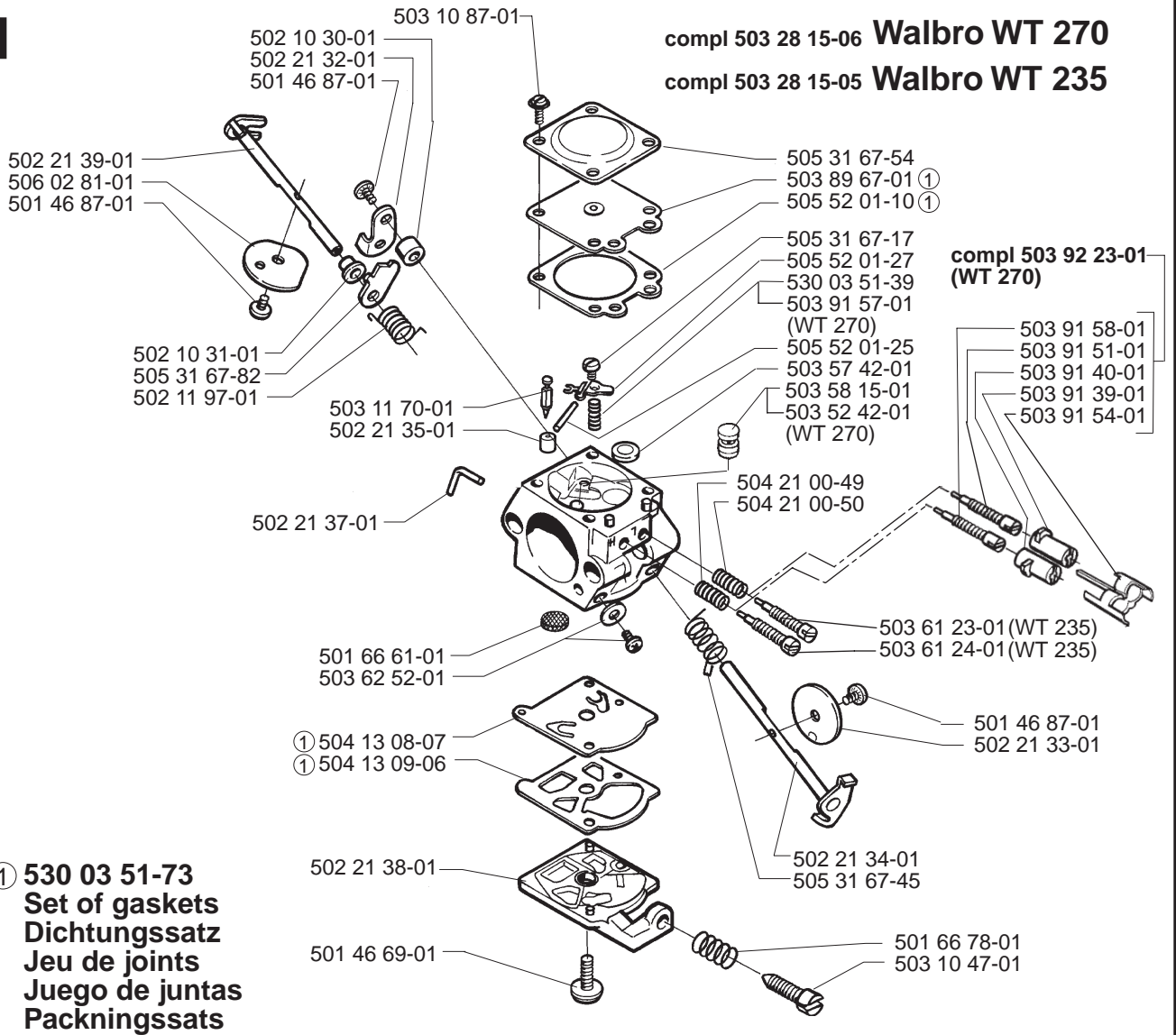
B

*compl 502 19 58-03
**compl 503 72 43-03



C**D****E****F****G****H**

J***compl 503 90 40-01****K****compl 502 21 92-03****L*****compl 503 79 06-01****M*****compl 502 18 95-01**

N**P**

Accessories
Zubehöre
Accessoires
Acessorios
Tillbehör

